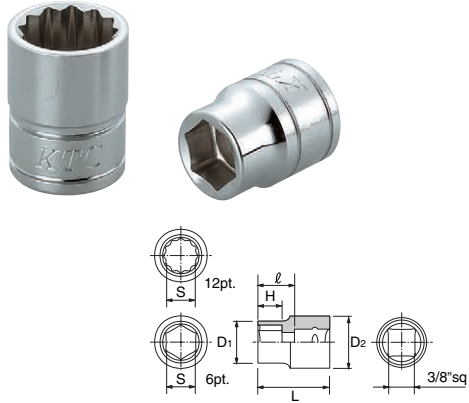


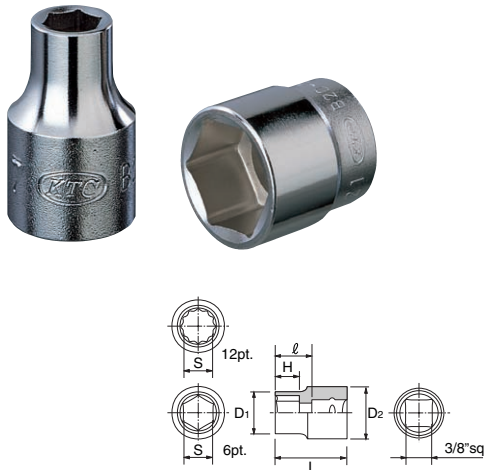
●3/8"sq. 套筒



SOCKET											in
6pt.	12pt.	S	D ₁	D ₂	H	L	ℓ	▼g	⊠		
B3 -1/4	B3 -1/4 W	6.3	10	17	5	22	10.5	20	5		
-9/32	-9/32 W	7.1	11	17	5	22	10.5	20	5		
-5/16	-5/16 W	7.9	12	17	5.5	22	10.5	20	5		
-11/32	-11/32 W	8.7	13.5	17	5.5	22	10.5	21	5		
-3/8	-3/8 W	9.5	14	17	5.5	22	10.5	21	5		
-7/16	-7/16 W	11.1	16	17	6	23	11.5	23	5		
-1/2	-1/2 W	12.7	18.5	18	7.5	24	12.5	28	5		
-17/32	-17/32 W	13.4	20	19	7.5	24	12.5	35	5		
-9/16	-9/16 W	14.2	20	19	8.5	25	13.5	34	5		
-19/32	-19/32 W	15	21	20	8.5	26	14.5	35	5		
-5/8	-5/8 W	15.8	22	21	9	26	14.5	42	5		
-21/32	-21/32 W	16.6	24	22	10	27	15.5	51	5		
-11/16	-11/16 W	17.4	24	22	10	27	15.5	51	5		
-3/4	-3/4 W	19	26	24	10.5	27	15.5	62	5		
-25/32	-25/32 W	19.8	27.5	25	11	28	16.5	73	5		
-13/16	-13/16 W	20.6	28.5	26.5	11.5	28	16.5	80	5		
-7/8	-7/8 W	22.2	30	27.5	11.5	28	16.5	84	5		

POWERFIT

●3/8"sq. 套筒



SOCKET											mm
6pt.	12pt.	S	D ₁	D ₂	H	L	ℓ	▼g	⊠		
B20- 5.5 H		5.5	9	17	5	26	14	20	10		
- 6 H		6	10	17	5	26	14	25	10		
- 7 H		7	11	17	6	26	14	25	10		
- 8 H	B20- 8	8	12	17	7	26	14	25	10		
- 9 H		9	13	17	8	27	15	30	10		
-10 H	-10	10	14	17	8	27	15	30	10		
-11 H		11	16	17	8	27	15	30	10		
-12 H	-12	12	16	17	9	28	16	30	10		
-13 H	-13	13	18	18	9	28	16	30	10		
-14 H	-14	14	20	20	9	28	16	35	10		
-15 H	-15	15	21	20	10	28	16	42	10		
-16 H	-16	16	22	21	11	30	18	50	10		
-17 H	-17	17	24	22	12	30	18	53	10		
-18 H	-18	18	25	23	12	30	18	60	10		
-19 H	-19	19	26	24	12	30	18	65	10		
-20 H		20	27	25	13	32	20	79	10		
-21 H	-21	21	28	25	14	32	20	83	10		
-22 H	-22	22	30	27	14	32	20	91	10		
-23 H	-23	23	31	27	14	34	22	112	10		
-24 H	-24	24	32	28	14	34	22	119	10		
-25	-25	25	34	29	14	34	22	122	10		
-26	-26	26	35	30	14	34	22	132	10		

SOCKET											in
6pt.	12pt.	S	D ₁	D ₂	H	L	ℓ	▼g	⊠		
BB20 -1/4H		6.3	10	17	5	26	14	25	10		
-9/32H		7.1	11	17	6	26	14	25	10		
-5/16H		7.9	12	17	7	26	14	25	10		
-3/8H		9.5	14	17	8	27	15	25	10		
-7/16H		11.1	16	17	8	27	15	29	10		
	BB20-1/2	12.7	18	18	9	28	16	36	10		
	-17/32	13.4	20	19	9	28	16	40	10		
-9/16H	-9/16	14.2	20	20	9	28	16	40	10		
	-19/32	15.0	21	20	10	28	16	40	10		
	-5/8	15.8	22	21	11	30	18	53	10		
	-21/32	16.6	24	22	12	30	18	60	10		
-11/16H	-11/16	17.4	24	23	12	30	18	59	10		
	-3/4	19.0	26	24	12	30	18	68	10		
	-13/16	20.6	28	25	13	32	20	80	10		
	-7/8	22.2	30	27	14	32	20	90	10		

POWERFIT (以英寸为单位的尺寸除外)

●3/8"sq. 半长套筒组套 (5件)



SEMI-DEEP SOCKET SET (5pcs.)			mm
No. TB3M05	▼g 500	⊠ 1	
半长套筒 (6pt.)	B3M-08, 10, 12, 14, 17		
5只装套筒承接架	EHB305		

POWERFIT